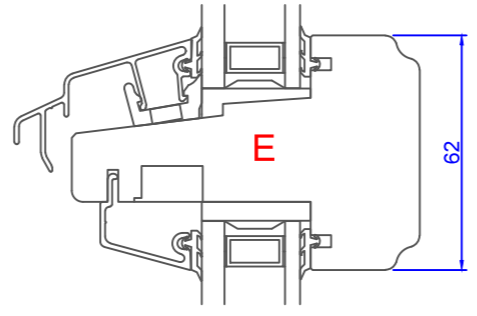
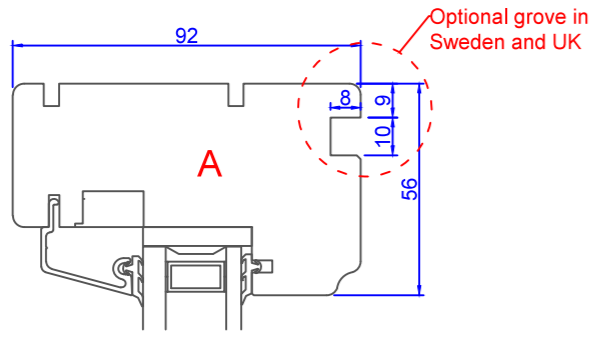
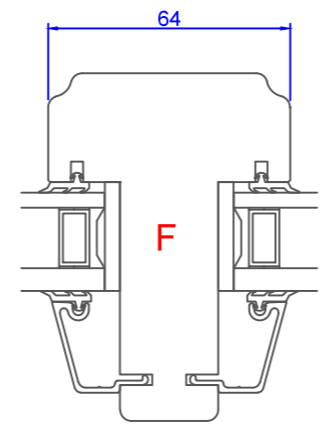
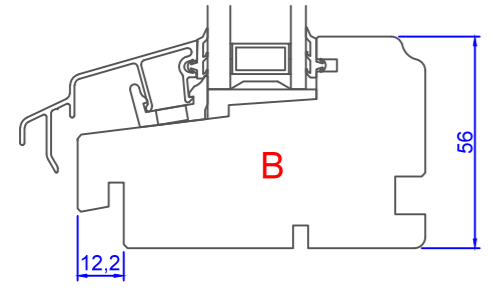


1 2 3 4 5 6 7 8

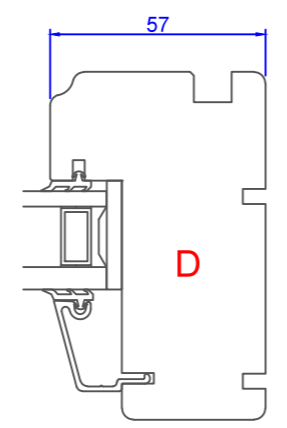
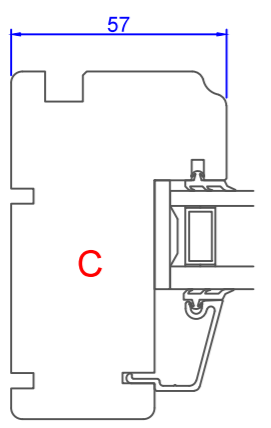
A



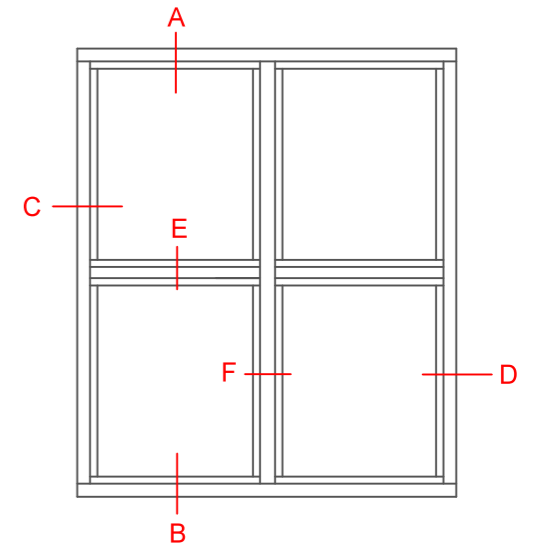
B



C



D



E

F

1 2 3 4

Constr. by: **AOS** Rev. by: Appr. by: Tolerance: **General Tolerance ±0.2**

Constr. Date: **12/18/2015** Rev. date: Appr. date: Product series: **NTech**

Norwegian: **ND Ntech Villa Fast karm**
 92 mm karm
 Swedish: **ND NTech Villa Fast karm**
 92 mm karm
 English: **ND NTech Villa Fixed frame**
 92 mm frame



www.nordan.no - www.nordan.se - www.nordan.co.uk

Format: **A3** Scale: **1:2** Size: **1 of 1**

Drawing no.: **N360920**

This drawing is NorDan AS property and may not without our permission be copied, transferred to another party or otherwise improperly used. Violation penalized under applicable law.