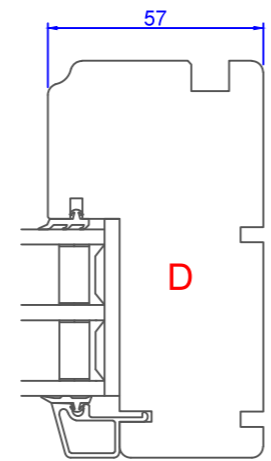
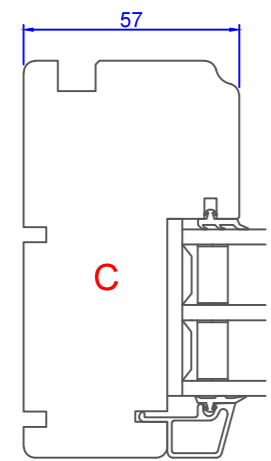
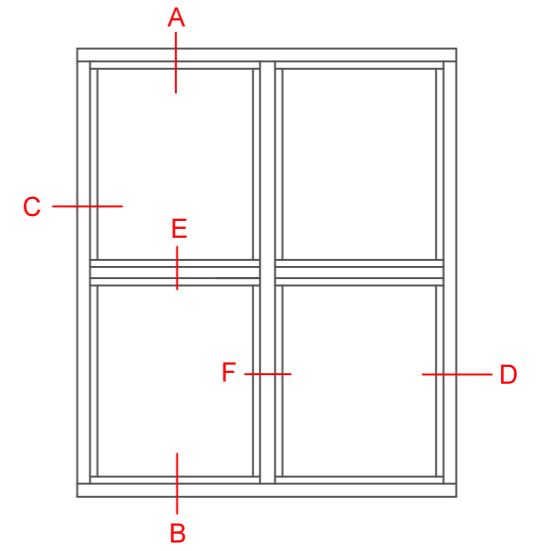
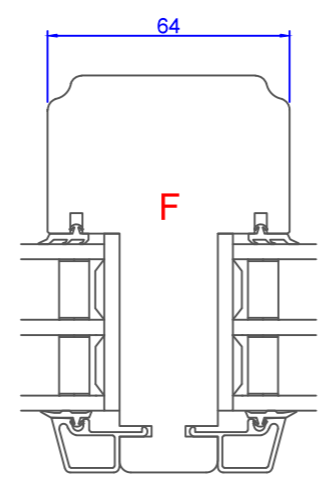
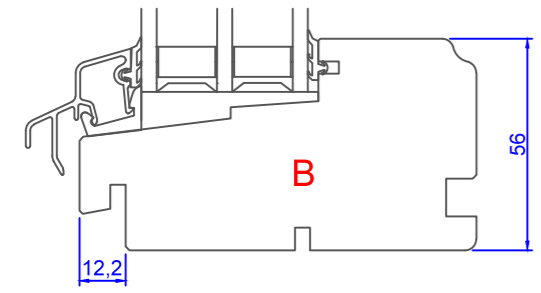
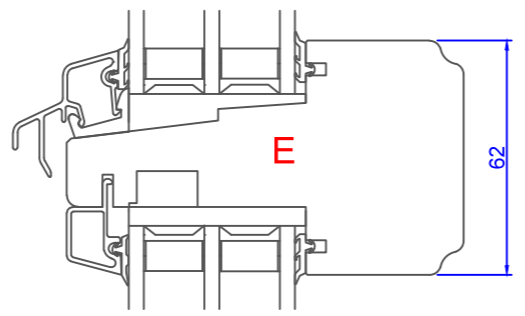
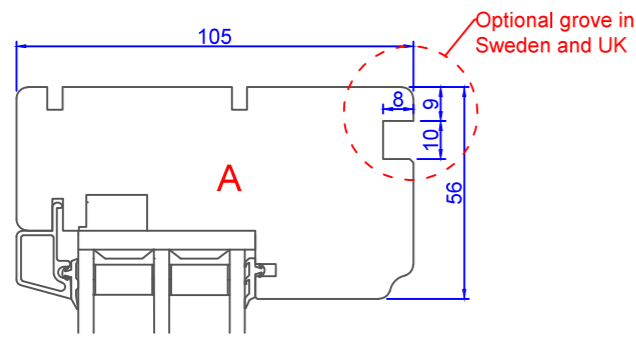


1 2 3 4 5 6 7 8

A
B
C
D
E
F

A
B
C
D
E
F



Constr. by AOS	Rev. by	Appr. by	Tolerance General Tolerance ± 0.2
Constr. Date 12/18/2015	Rev. date	Appr. date	Product series NTech
Norwegian: ND Ntech Villa Fast karm 105/80, 105 mm karm			
Swedish: ND NTech Villa Fast karm 105/80, 105 mm karm			
English: ND NTech Villa Fixed frame 105/80, 105 mm frame			

NorDan
www.nordan.no - www.nordan.se - www.nordan.co.uk

Format: A3 Scale: 1:2 Size: 1 of 1

Drawing no.: **N360922**

1 2 3 4

This drawing is NorDan AS property and may not without our permission be copied, transferred to another party or otherwise improperly used. Violation penalized under applicable law.