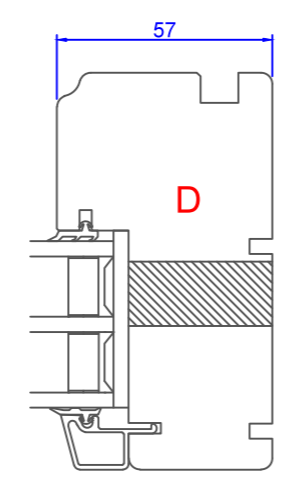
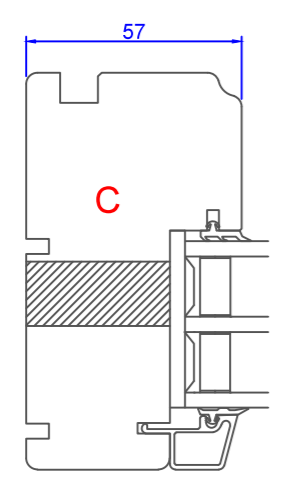
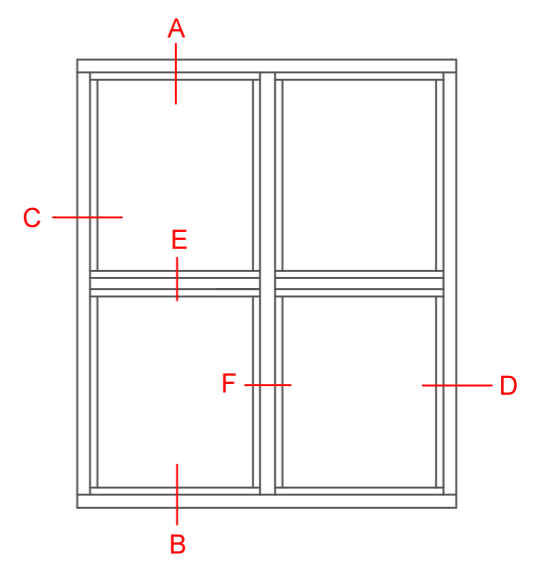
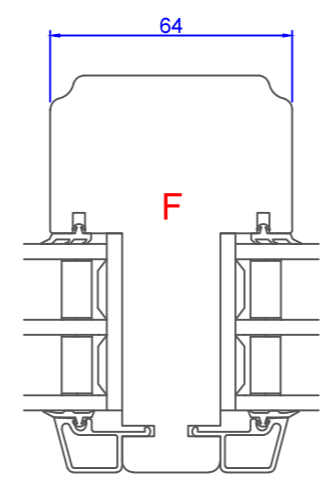
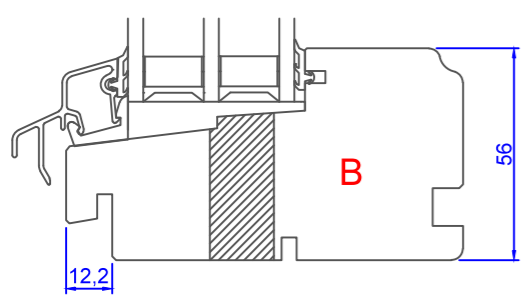
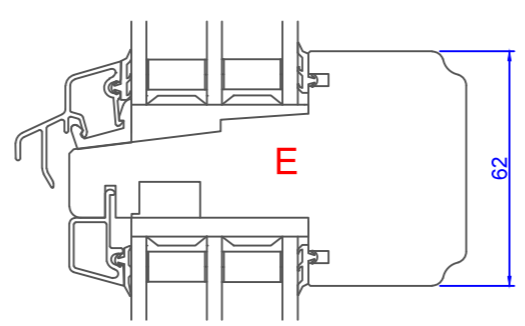
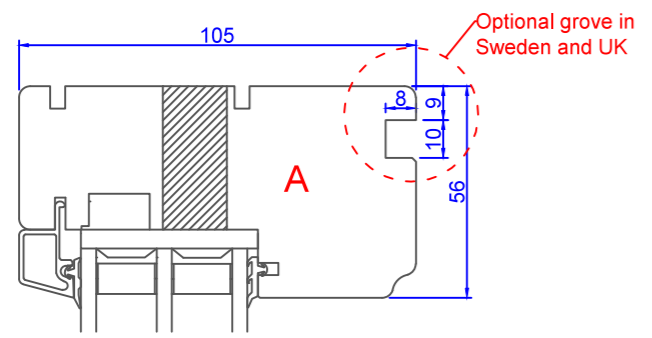



1 2 3 4 5 6 7 8

A
B
C
D
E
F

A
B
C
D
E
F



Constr. by AOS	Rev. by	Appr. by	Tolerance General Tolerance ± 0.2
Constr. Date 12/18/2015	Rev. date	Appr. date	Product series NTech
Norwegian: ND Ntech Villa Fast karm NTech Passiv, 105 mm karm	 www.nordan.no - www.nordan.se - www.nordan.co.uk		
Swedish: ND NTech Villa Fast karm NTech Passiv, 105 mm karm			
English: ND NTech Villa Fixed frame NTech Passive, 105 mm frame			
Format: A3 Scale: 1:2 Size: 1 of 1			Drawing no. N360924
This drawing is NorDan AS property and may not without our permission be copied, transferred to another party or otherwise improperly used. Violation penalized under applicable law.			Revision:

1 2 3 4