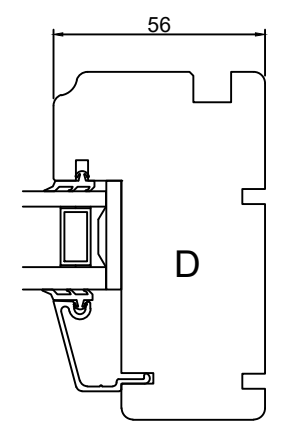
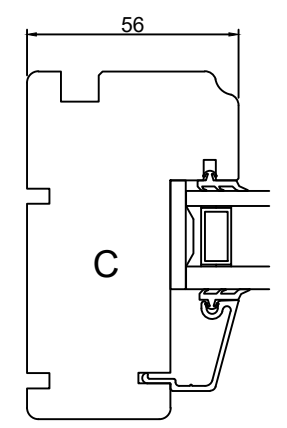
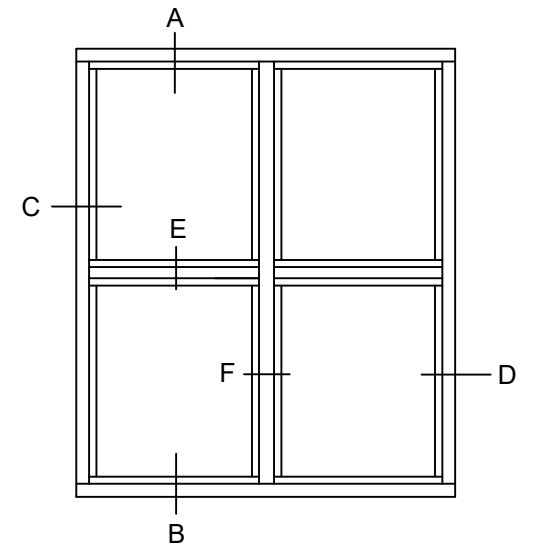
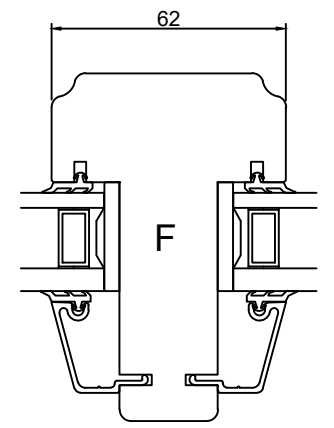
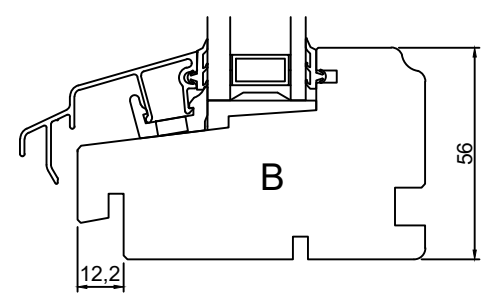
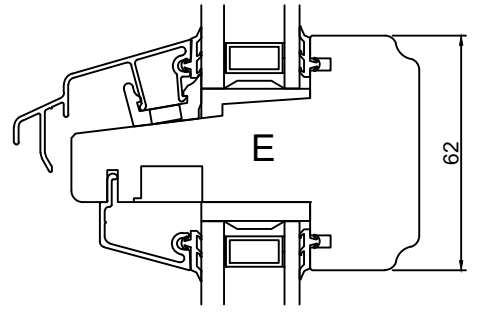
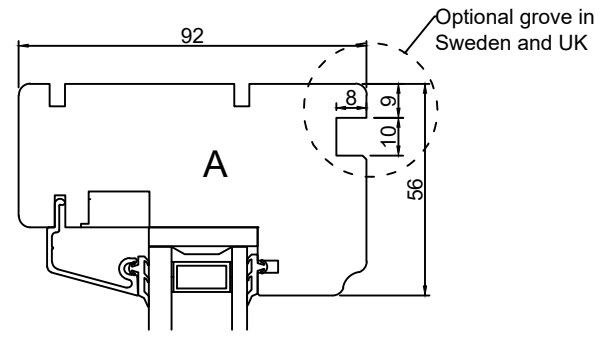


1 2 3 4 5 6 7 8

A  
B  
C  
D  
E  
F

A  
B  
C  
D  
E  
F



1 2 3 4 5 6 7 8

Constr. by: <b>AOS</b>	Rev. by:	Appr. by: <b>RR</b>	Tolerance: General Tolerance $\pm 0.2$
Constr. Date: 15.11.2019	Rev. date:	Appr. date: 13.12.2019	Product series: <b>NTech</b>

Norwegian: **ND Ntech Villa Fast karm**  
92 mm karm  
Swedish: **ND NTech Villa Fast karm**  
92 mm karm  
English: **ND NTech Villa Fixed frame**  
92 mm frame

**NorDan**  
www.nordan.no - www.nordan.se - www.nordan.co.uk

Format: **A3** Scale: **1:2** Side: **1 of 1**

Drawing no.: **N460920**

This drawing is NorDan AS property and may not without our permission be copied, transferred to another party or otherwise improperly used. Violation penalized under applicable law.