

1 2 3 4 5 6 7 8

A

B

C

D

E

F

A

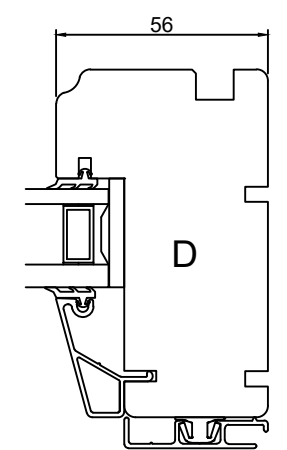
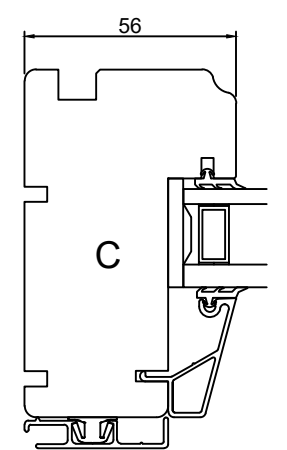
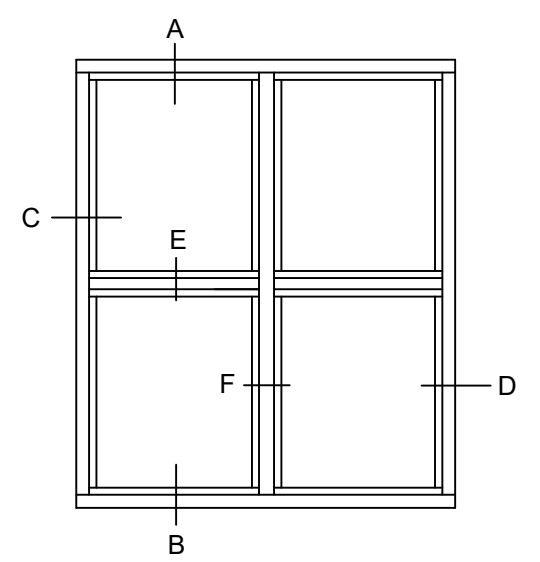
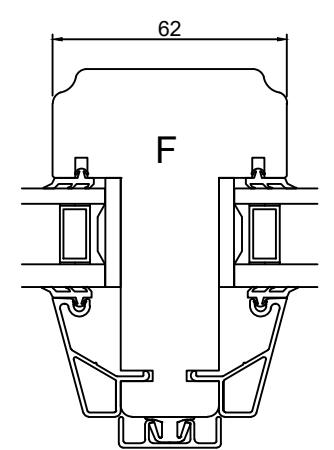
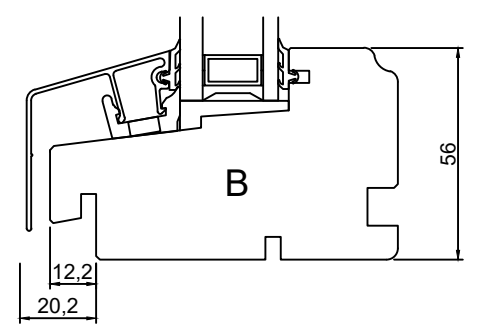
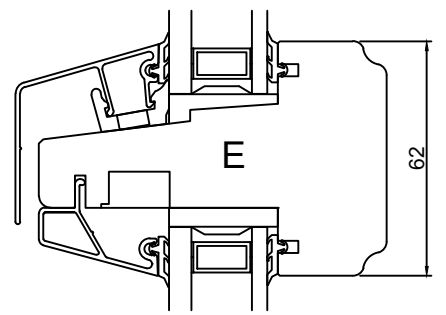
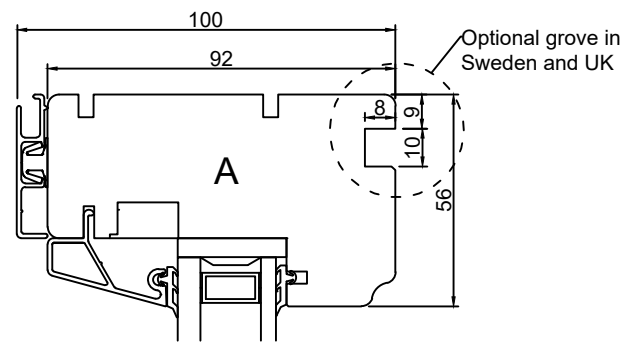
B


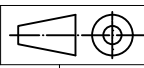
C

D

E

F



Constr. by: AOS	Rev. by:	Appr. by: RR	Tolerance: General Tolerance ± 0.2	 www.nordan.no - www.nordan.se - www.nordan.co.uk
Constr. Date: 13.12.2019	Rev. date:	Appr. date: 13.12.2019	Product series: NTech	
Norwegian: ND Ntech Villa Fast karm 100 mm karm inkl. 8 mm alum.	Format: A3 Scale: 1:2 Side: 1 of 1  Drawing no.: N460921 Revision:			
Swedish: ND NTech Villa Fast karm 100 mm karm inkl. 8 mm alum.				
English: ND NTech Villa Fixed frame 100 mm frame incl. 8 mm alum.				
This drawing is NorDan AS property and may not without our permission be copied, transferred to another party or otherwise improperly used. Violation penalized under applicable law.				

1 2 3 4 5 6 7 8