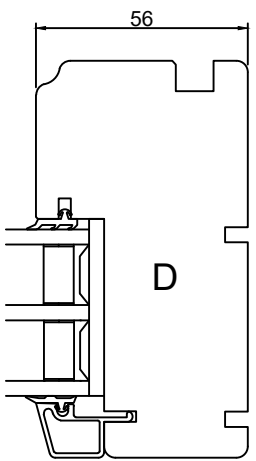
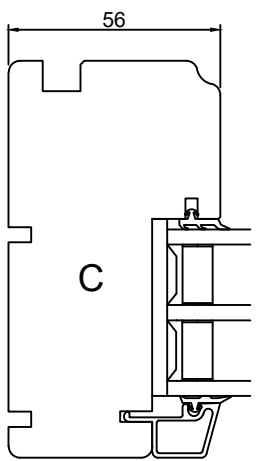
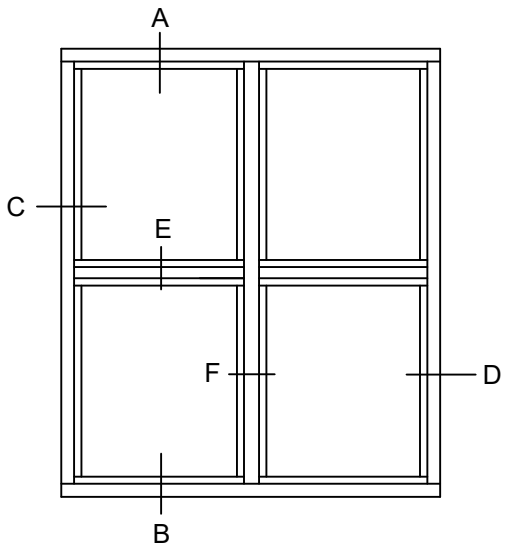
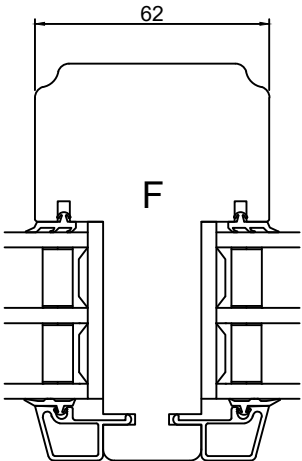
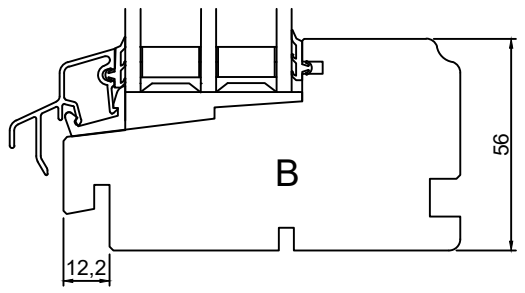
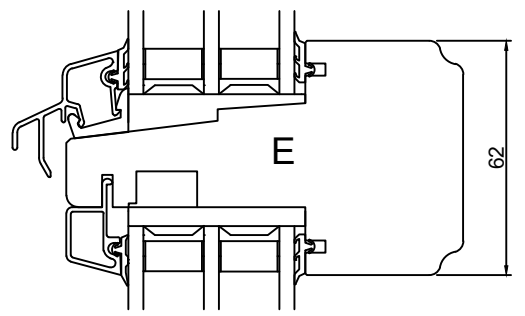
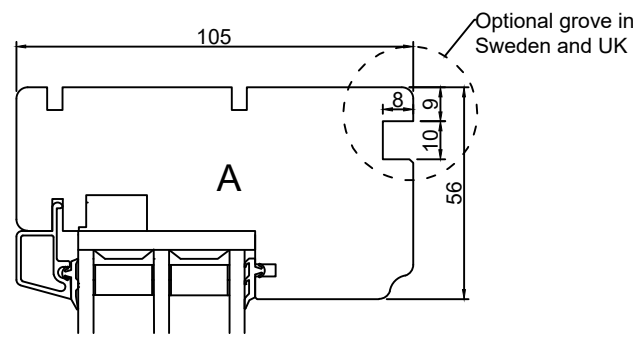


1 2 3 4 5 6 7 8

A  
B  
C  
D  
E  
F

A  
B  
C  
D  
E  
F



Constr. by: <b>AOS</b>	Rev. by:	Appr. by: <b>RR</b>	Tolerance: General Tolerance $\pm 0.2$
Constr. Date: 27.09.2019	Rev. date:	Appr. date: 13.12.2019	Product series: NTech

Norwegian: ND Ntech Villa Fast karm  
105/80, 105 mm karm  
Swedish: ND NTech Villa Fast karm  
105/80, 105 mm karm  
English: ND NTech Villa Fixed frame  
105/80, 105 mm frame



www.nordan.no - www.nordan.se - www.nordan.co.uk

Format: <b>A3</b>	Scale: <b>1:2</b>	Side: <b>1 of 1</b>	Revision: 
Drawing no: <b>N460922</b>			Revision:

This drawing is NorDan AS property and may not without our permission be copied, transferred to another party or otherwise improperly used. Violation penalized under applicable law.

1 2 3 4