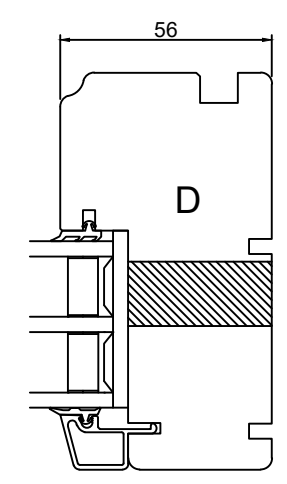
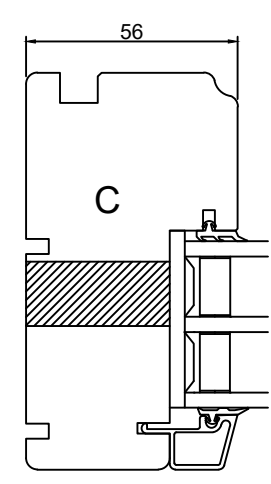
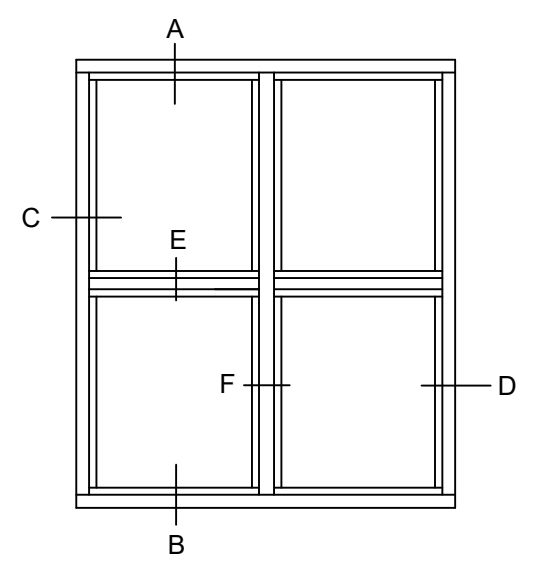
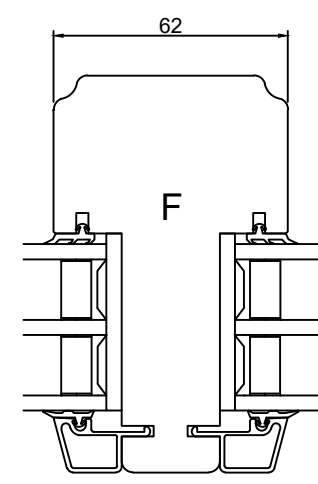
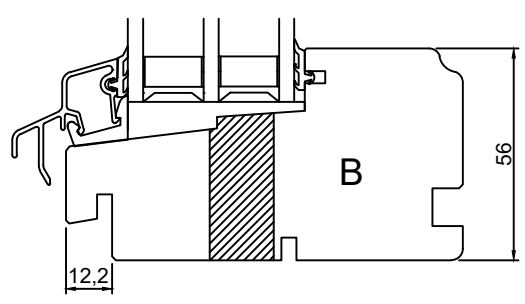
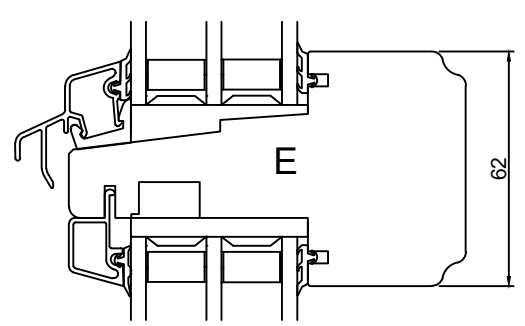
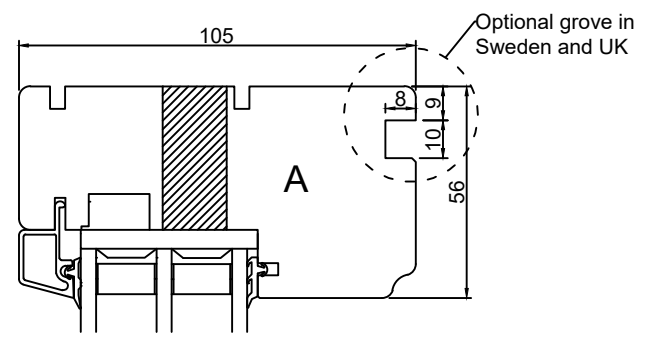


1 2 3 4 5 6 7 8

A
B
C
D
E
F

A
B
C
D
E
F



Constr. by: AOS	Rev. by:	Appr. by: RR	Tolerance: General Tolerance ± 0.2
Constr. Date: 18.09.2017	Rev. date:	Appr. date: 13.12.2019	Product series: NTech
Norwegian: ND Ntech Villa Fast karm NTech Passiv, 105 mm karm Swedish: ND NTech Villa Fast karm NTech Passiv, 105 mm karm English: ND NTech Villa Fixed frame NTech Passive, 105 mm frame			

NorDan
www.nordan.no - www.nordan.se - www.nordan.co.uk

Format: **A3** Scale: **1:2** Side: **1 of 1**

Drawing no.: **N460924**

1 2 3 4

This drawing is NorDan AS property and may not without our permission be copied, transferred to another party or otherwise improperly used. Violation penalized under applicable law.